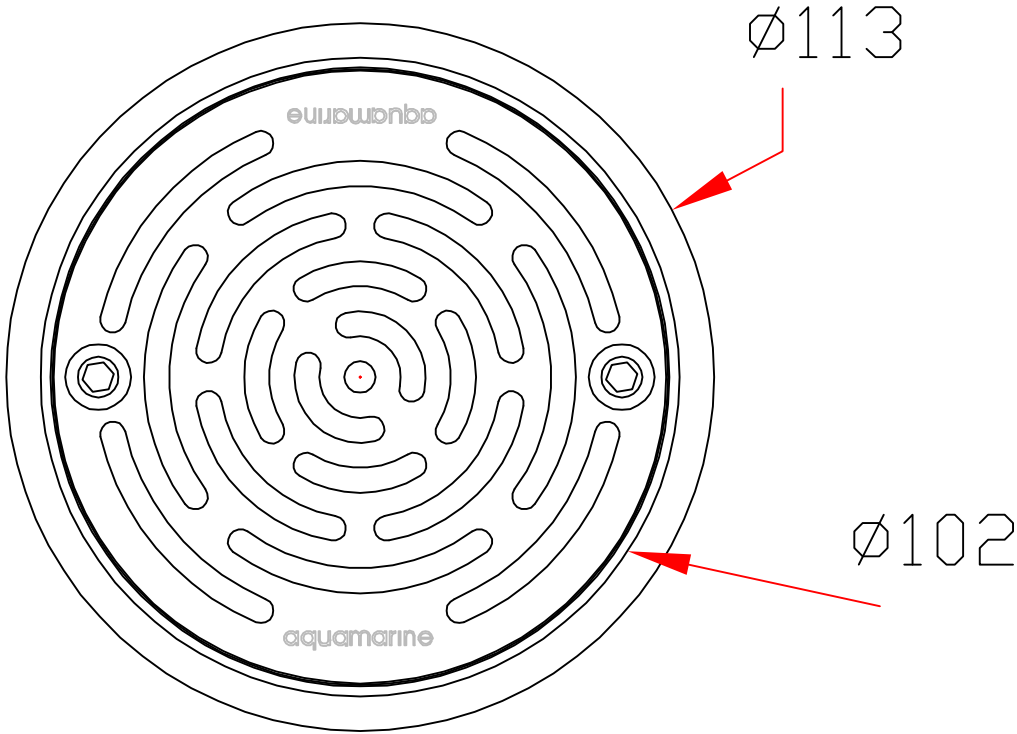
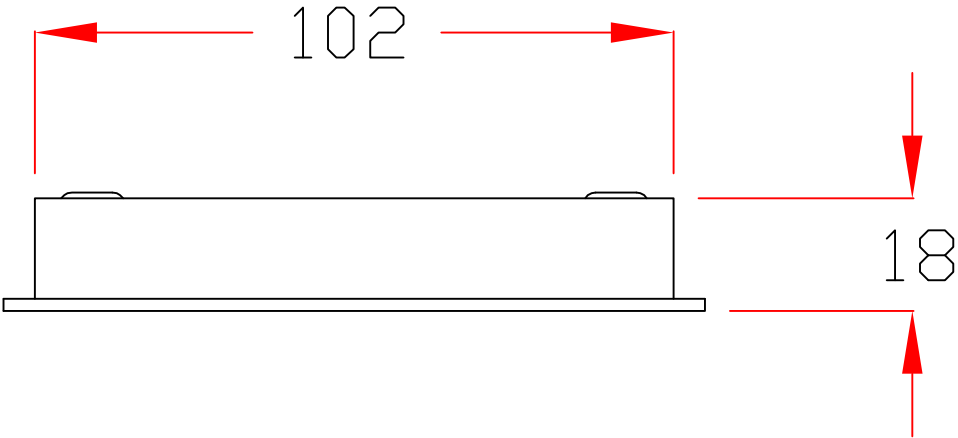


# KARA100 main drain



all dimensions in millimeters