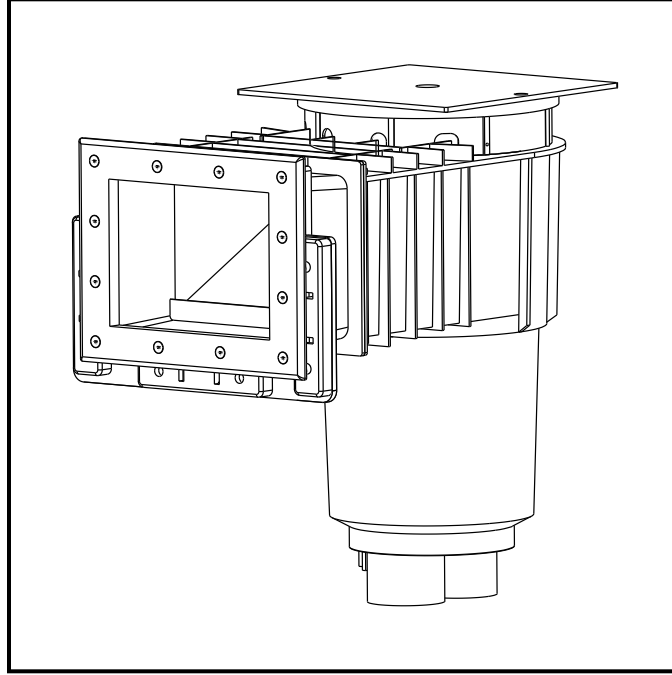




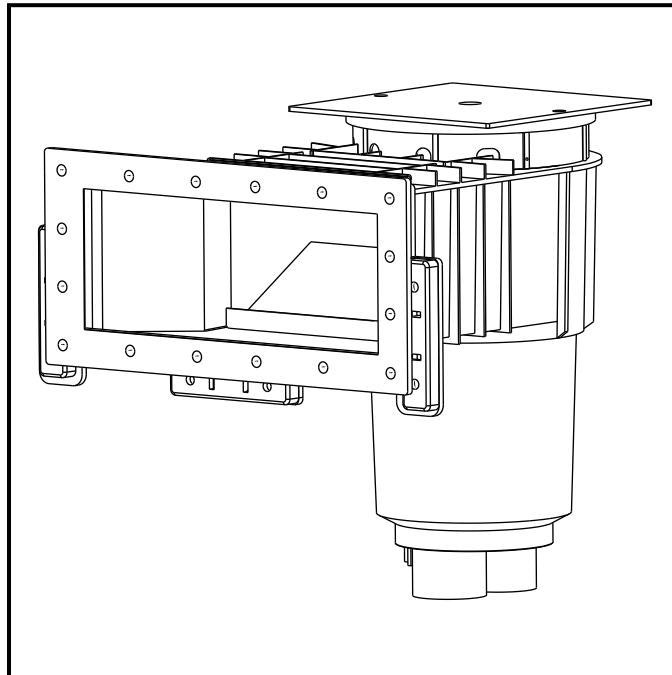
IN GROUND POOL SKIMMER INSTRUCTIONS

CMP 25160 SKIMMERS

25160-010-000



25160-110-000



IMPORTANT - READ THIS FIRST

NOTICE

Save these instructions for the inspector.

WARNING

Follow all applicable local and national regulations (e.g. NEC, CEC whichever is applicable) during installation of the skimmer.

WARNING

Do not stick hand into the skimmer pipe below the basket while the pump is running.

WARNING

Follow all necessary precautions when connecting a vacuum pump and cleaning the skimmer.

WARNING

Avoid using a cracked or damaged skimmer.

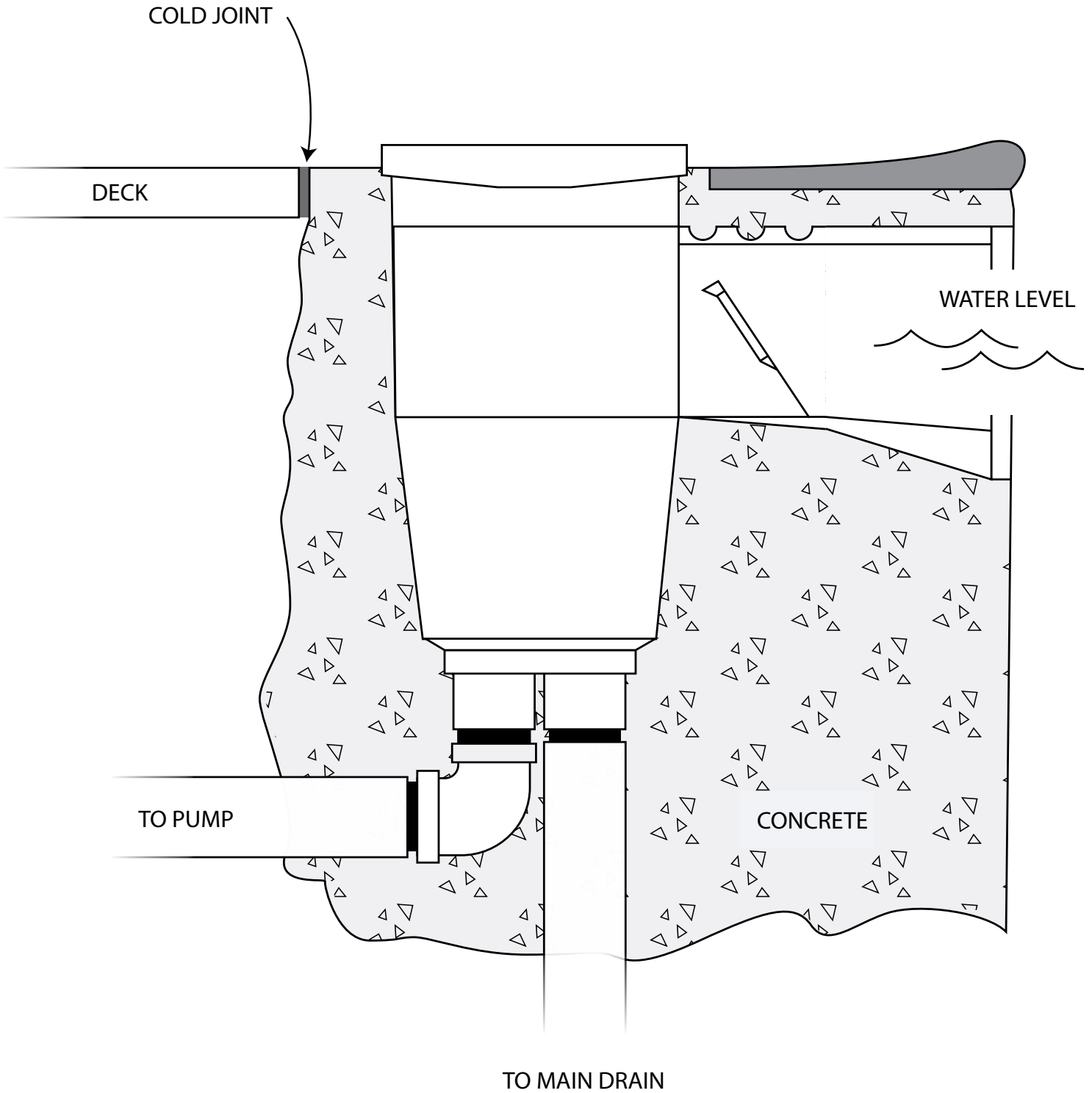
WARNING

If rusting is visible on Water Bond Kit, replace kit immediately.

WARNING

Do not step on cracked skimmer plate. Max weight 300 lbs.

INSTALLATION DIAGRAM



⚠ WARNING



RISK OF HAIR OR BODY ENTRAPMENT, DROWNING OR DISEMBOWELMENT. EQUALIZER FITTINGS CAN TRAP HAIR OR BODY PARTS CAUSING SEVERE INJURY OR DEATH.

PROVIDE MORE THAN ONE SUCTION SOURCE IN POOL SYSTEM AT ALL TIMES.

FOR RESIDENTIAL USE:
DO NOT USE EQUALIZER LINE. PLUG EQUALIZER LINE WITH PLUG USING NSF LISTED PVC CEMENT.

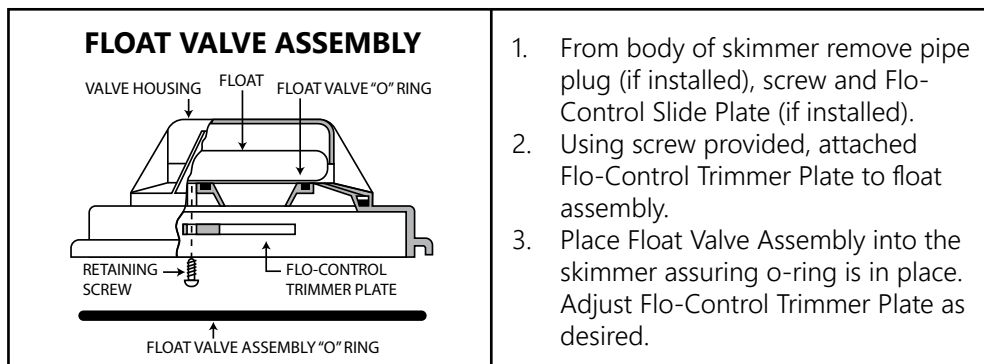
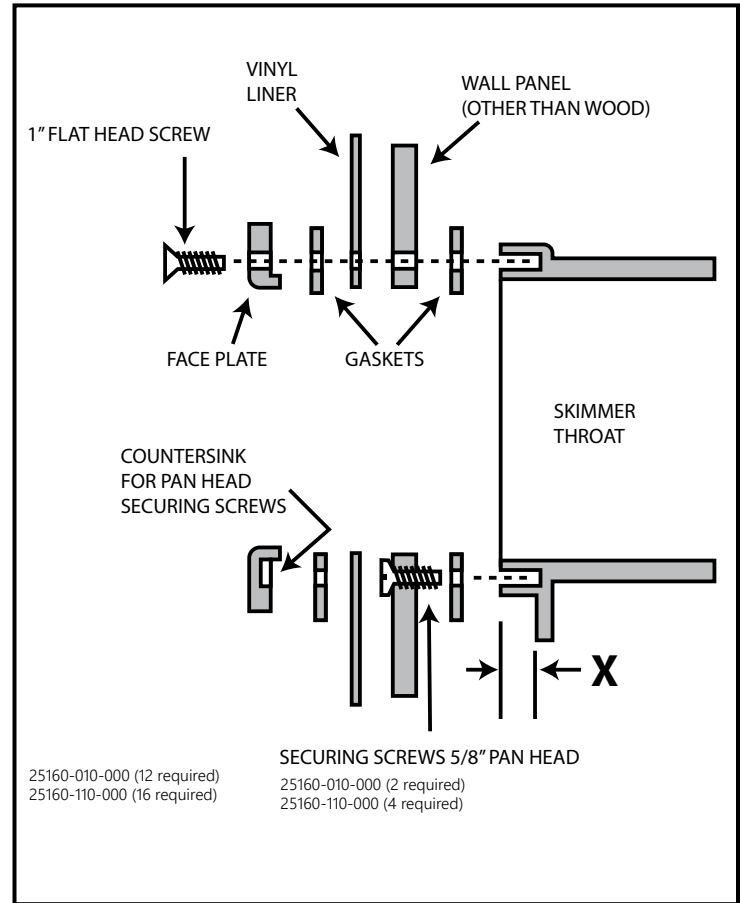
SKIMMER INSTALLATION

INSTALLATION FOR NON-WOOD PANEL

1. Drill and cut wall panel section per dimensions on previous page.
2. Place gasket on skimmer face, making sure holes in gasket align with holes in skimmer face (a very light application of silicone will help hold the gasket in place).
3. Align skimmer face and gasket with drilled panel holes and fasten to wall panel at top center and bottom center with pan head securing screws (for 25160-010-000). Use appropriate holes and four screws (for 25160-110-000).
4. If vinyl liner pool, install liner before proceeding to step 5.
5. Align second gasket and face plate. Tightly fasten the skimmer face with 1" long flat head screws. If vinyl liner pool pierce vinyl liner through faceplate holes one at a time before inserting screws. Screws must go through face plate, gasket, liner, wall panel, gasket, and into skimmer face.
6. If vinyl liner pool, cut out liner along inside edge of face plate.

INSTALLATION FOR WOOD PANEL

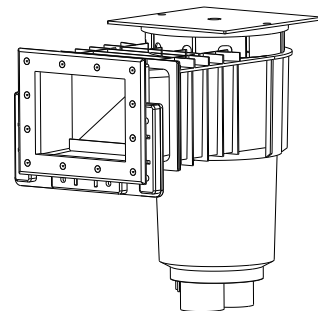
1. Cut out wall panel approximately 1/8" larger than outside dimensions of skimmer face (NOT face plate)
2. Insert skimmer into panel cut out from rear. Butt the mounting flange against the rear of the panel. Use "U" shims, if necessary to make the face of the skimmer flush with the inside of the pool. Fasten the skimmer to the rear of the wood panel by securing with stainless or brass wood screws through the skimmer mounting flange.
3. Place gasket on skimmer face, make sure the holes in the gasket align with holes in the skimmer face. A very light application of silicone will help hold the gasket in place.
4. Install vinyl liner.
5. Align second gasket with face plate. Fasten tightly to skimmer face with 1" screws. 25160-010-000 (12 required); 25160-110-000 (16 required). Pierce liner through face plate holes one at a time by inserting screws.
6. Cut out liner along inside edges of face plate.



SKIMMER OPERATION

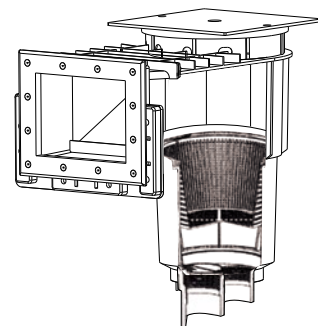
OPERATION FOR ALL SKIMMERS

Water is pulled through the skimmer by the suction of the pump. Water flow carries floating debris into the skimmer where it is collected in the skimmer basket. The floating weir creates a better water flow and increases efficiency. The water level of the pool should be kept at least 2" above the bottom of the mouth of the skimmer to ensure proper operation. To adjust the skimmer flow rotate the diverter plate on the float valve or in the skimmer until the desired flow is achieved. In the instance of multiple skimmers, rotate the diverter plate in each skimmer over the pump port to restrict and balance the flow from each skimmer. To vacuum the pool, remove the float valve and close the diverter plate over the main drain. Install the skimmer vacuum in the skimmer and connect to vacuum hose.



OPERATION WITH DIVERTER PLATE

For full flow, rotate diverter plate completely open. To adjust flow, rotate over the pump port until desired flow is achieved. To vacuum, either remove cover and basket. Screw the hose adapter into the pump port. Fill hose with water and insert over the hose adapter. OR insert the skimmer vacuum into skimmer on top of the basket.

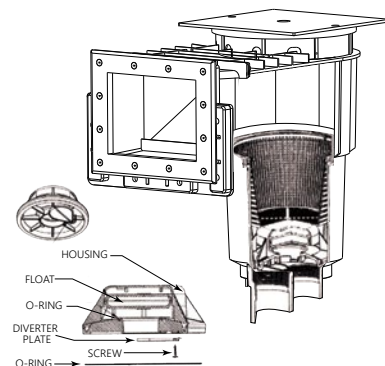


OPERATION WITH FLOAT VALVE

If the water level drops below the mouth of the skimmer or if the basket is clogged and no water can flow through it, then the float valve will automatically close over the flow ports. This diverts all water flow to the pump from the main drain line. It prevents possible air lock. When the pump is shut off the float valve will float back to the top of the cavity, allowing normal operation to resume.

TO SWEEP/BRUSH: Divert all suction to the main drain by holding the weir above normal operating level and allowing the float to snap shut. Or remove the float valve assembly, close the diverter plate, and replace. To reset the float valve assembly, turn off the pump for 10-15 seconds. The float valve will rise to the top of the skimmer cavity.

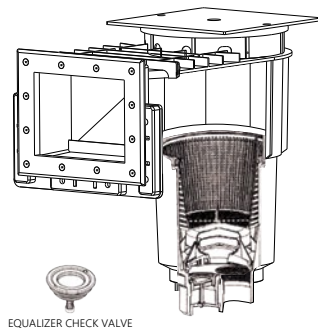
TO VACUUM: Remove cover, basket and float valve assembly. Screw the hose adapter into the pump port, fill the hose with water, and insert over adapter. OR insert the skimmer vacuum into skimmer on top of the basket.



OPERATION WITH FLOAT VALVE & EQUALIZER CHECK VALVE

The Equalizer Check Valve Assembly screws into the main drain port and is used in tandem with the float valve assembly. If the water level drops or if flow is restricted, the float valve will snap down and the equalizer valve will open. This diverts all flow to the pump from the equalizer line and prevent airlock in the pump. When the pump is turned off, and the problem is corrected, the float valve will rise to the top of the skimmer cavity and the equalizer will close, allowing for normal operation to resume.

TO VACUUM: Remove cover and float valve from the selected skimmer. Place the vacuum plate over the basket. Fill the hose with water and insert over the hose adapter. Adjust the flow from the other skimmers until desired suction is achieved through the vacuum.



OPTIONAL WATER BOND KITS FOR SKIMMERS

25140-500-110



Intertek

4006147

CONFORMS TO: UL STD 1081 & 1563
CERTIFIED TO: CAN/CSA STD C22.2 NO. 218.1

WATER BOND PLATE REPLACEMENT



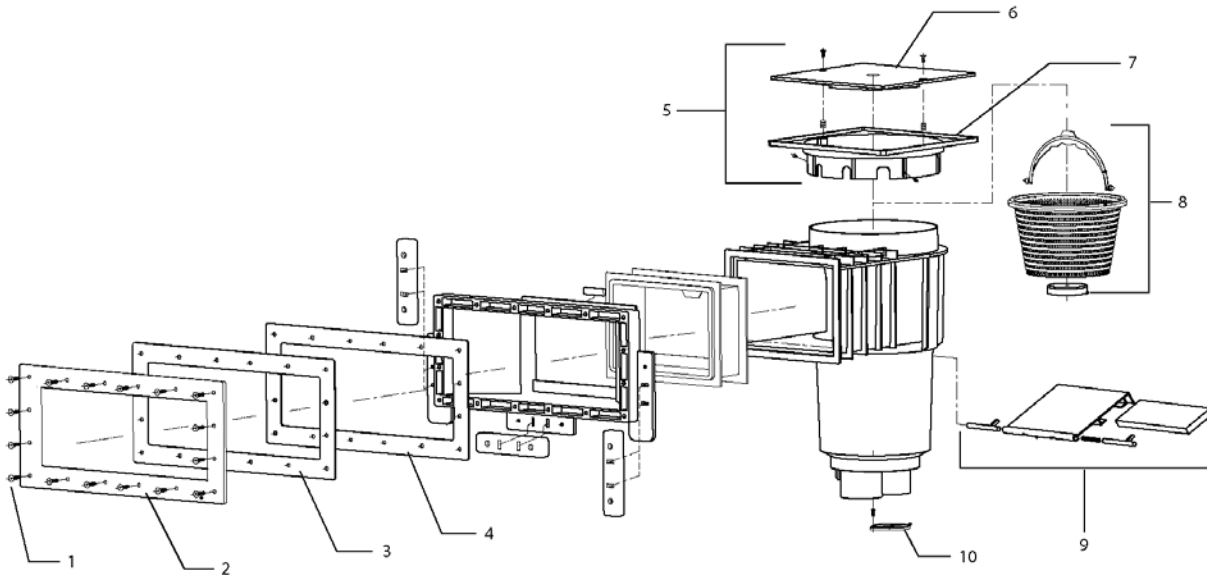
WARNING

Turn off power to entire pool system before servicing or replacing the Water Bond Kit.

1. Remove basket and float valve from skimmer.
2. Disassemble Water Bond Plate. Remove and discard old Water Bond Plate.
3. Insert the Water Bond Plate between two ribs inside the skimmer body.
4. Connect new stainless steel plate to copper wire using the provided nut and bolt using an 8 mm socket driver.
5. Replace basket and float valve. Check and make sure basket fits correctly.



REPLACEMENT PARTS



IN GROUND VINYL SKIMMER

CMP P/N	DESCRIPTION
1	FACE PLATE SCREWS (12 FOR REGULAR, 16 FOR WIDE)
2	FACE PLATE, WIDE MOUTH
2	FACE PLATE, REGULAR MOUTH
3	FRONT GASKET, WIDE MOUTH
3	FRONT GASKET, REGULAR MOUTH
4	BACK GASKET, WIDE MOUTH, W/ TABS
4	BACK GASKET, WIDE MOUTH, W/O TABS
4	BACK GASKET, REGULAR MOUTH, W/ TABS
4	BACK GASKET, REGULAR MOUTH, W/O TABS
5	COVER & COLLAR ASSEMBLY, WHITE
5	COVER & COLLAR ASSEMBLY, GRAY
5	COVER & COLLAR ASSEMBLY, TAN
6	COVER, WHITE
6	COVER, GRAY
6	COVER, TAN
7	SKIMMER COLLAR, SQUARE, WHITE
7	SKIMMER COLLAR, SQUARE, GRAY
7	SKIMMER COLLAR, SQUARE, TAN
8	BASKET ASSEMBLY
9	WEIR ASSEMBLY, WHITE
9	WEIR ASSEMBLY, GRAY
10	DIVERTER PLATE